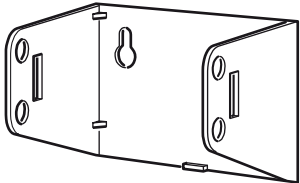
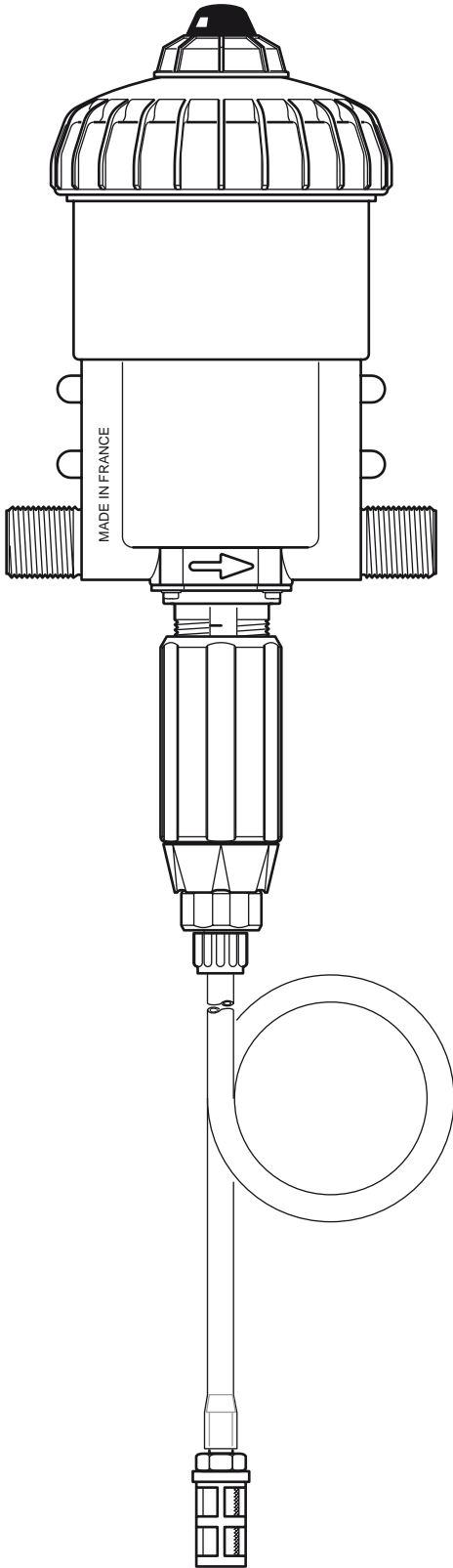


# D25RE2

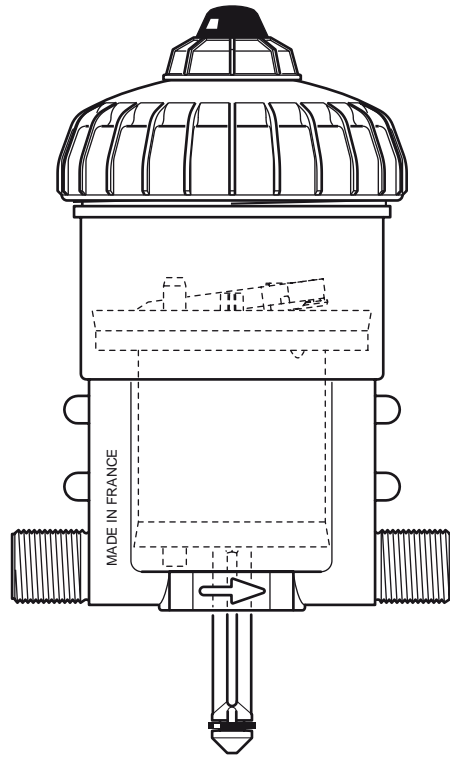
2.5 m<sup>3</sup>/h - 0.2 - 2%  
11 GPM - 1:500 - 1:50  
0.3 - 6 bar  
4.3 - 85 psi



# D25RE2

2.5 m<sup>3</sup>/h - 0.2 - 2%  
11 GPM - 1:500 - 1:50  
0.3 - 6 bar  
4.3 - 85 psi

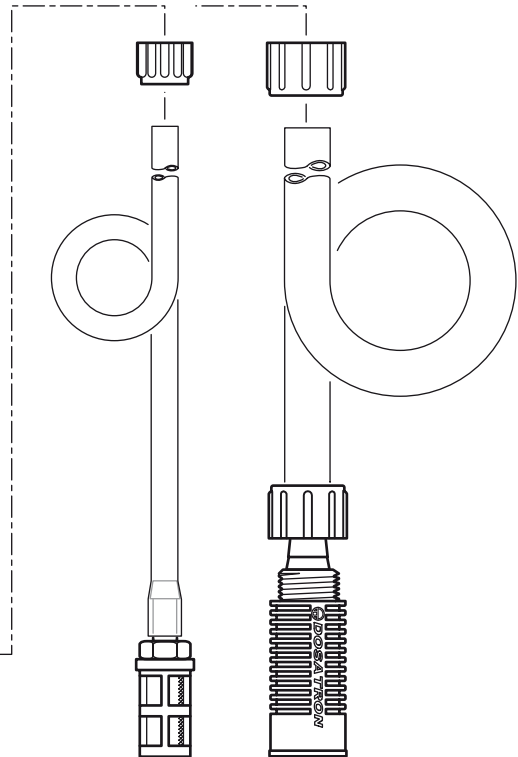
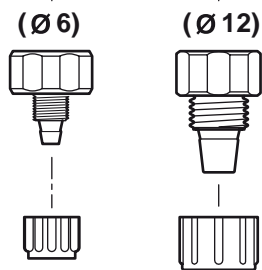
**C+M**



**A**

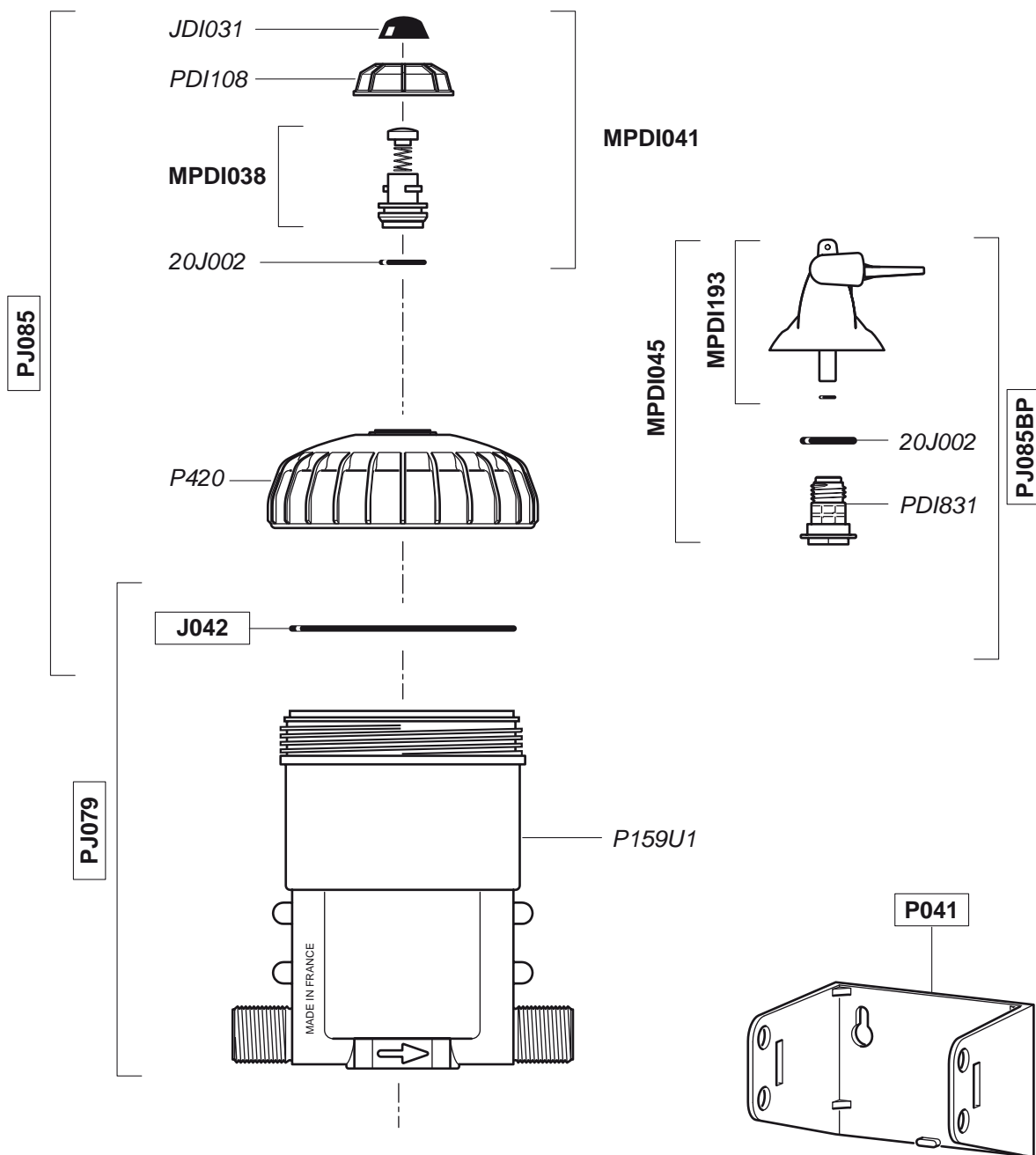
**Option "V"**

**D**



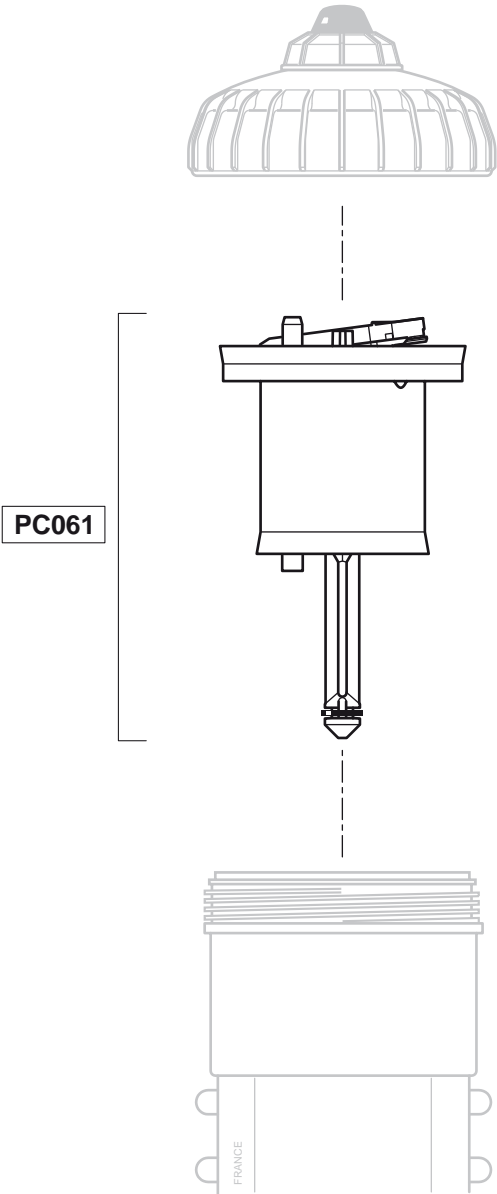
# D25RE2

2.5 m<sup>3</sup>/h - 0.2 - 2%  
 11 GPM - 1:500 - 1:50  
 0.3 - 6 bar  
 4.3 - 85 psi



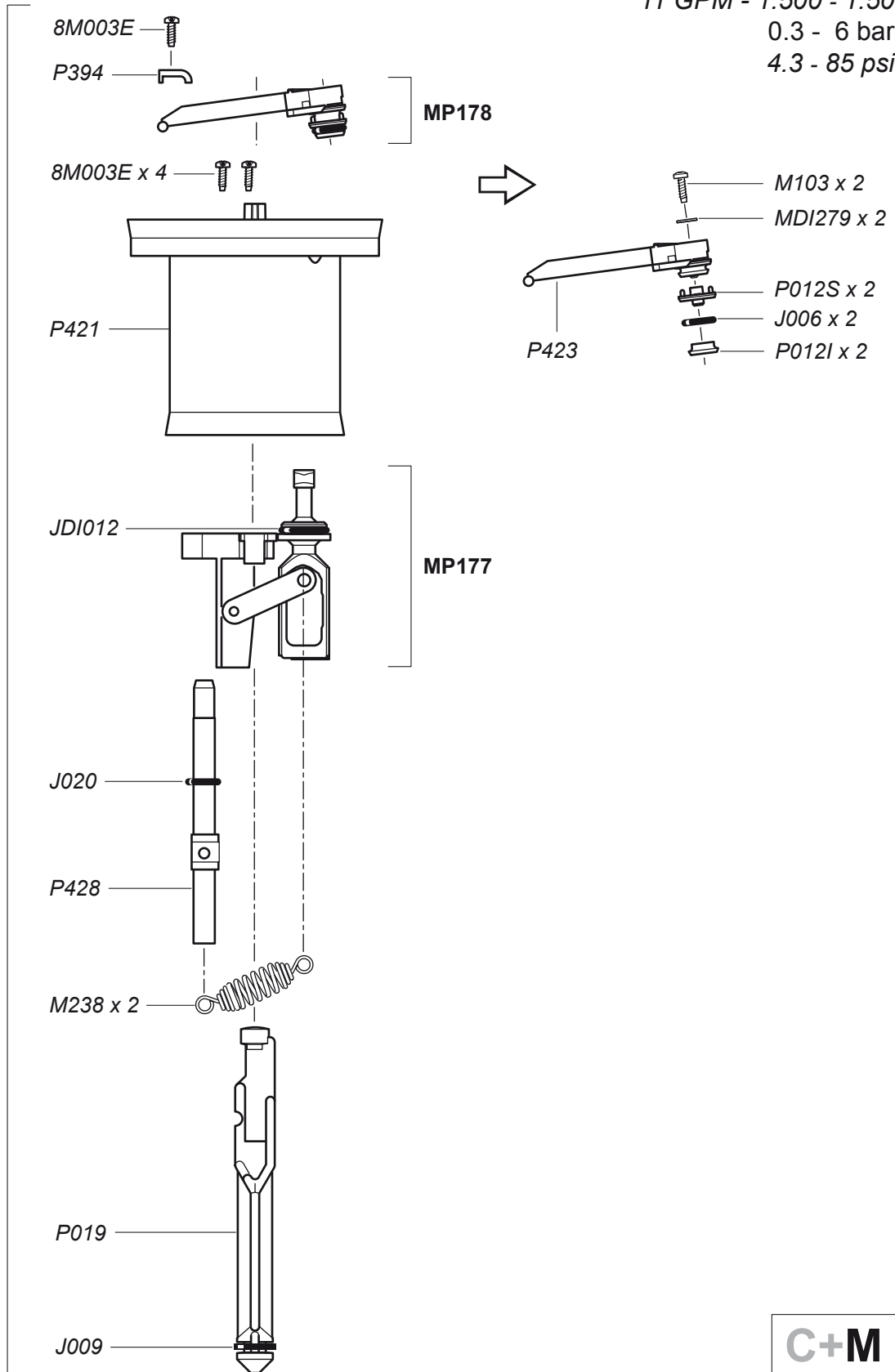
# D25RE2

2.5 m<sup>3</sup>/h - 0.2 - 2%  
11 GPM - 1:500 - 1:50  
0.3 - 6 bar  
4.3 - 85 psi



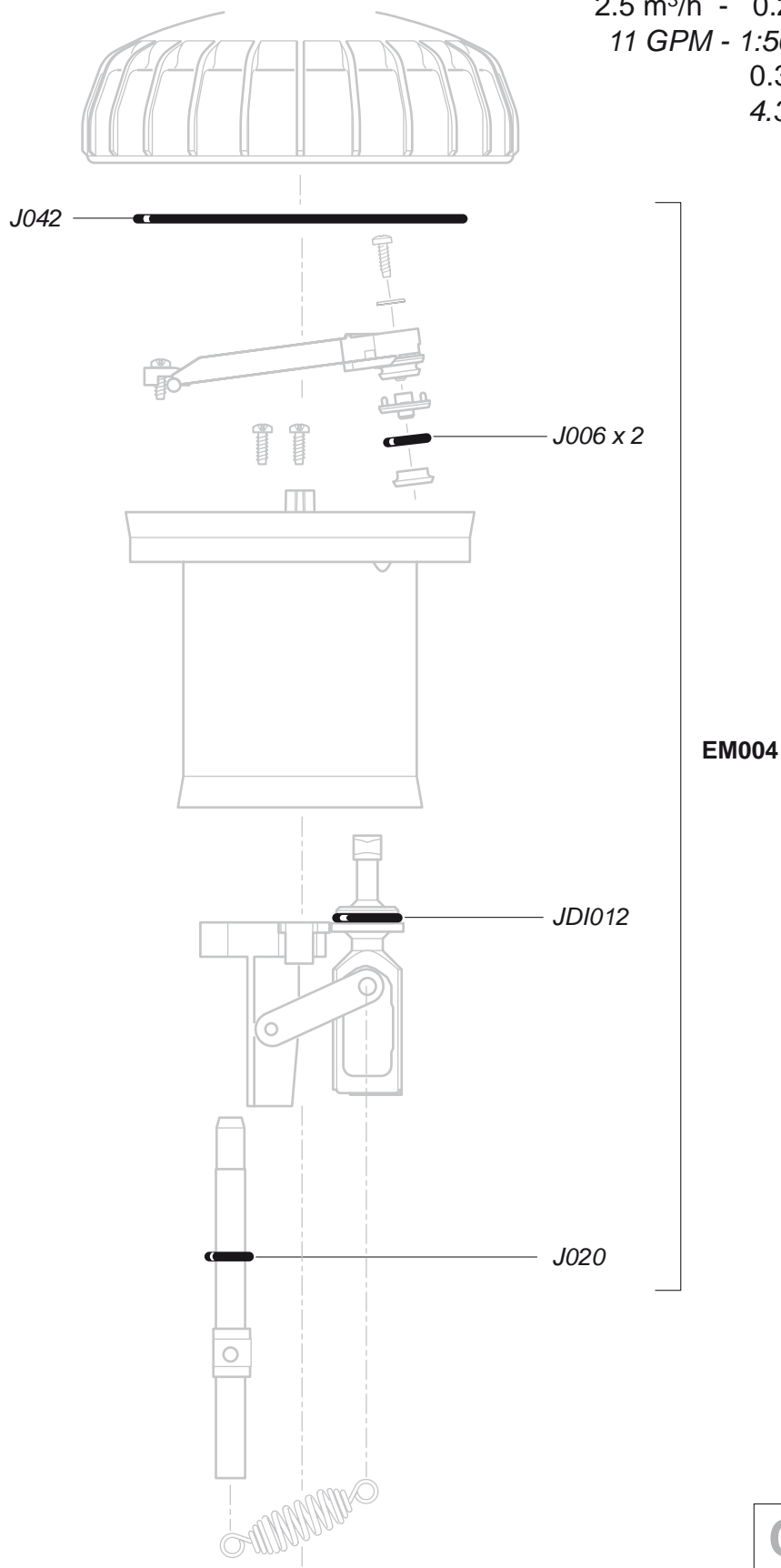
# D25RE2

2.5 m<sup>3</sup>/h - 0.2 - 2%  
 11 GPM - 1:500 - 1:50  
 0.3 - 6 bar  
 4.3 - 85 psi



# D25RE2

2.5 m<sup>3</sup>/h - 0.2 - 2%  
11 GPM - 1:500 - 1:50  
0.3 - 6 bar  
4.3 - 85 psi



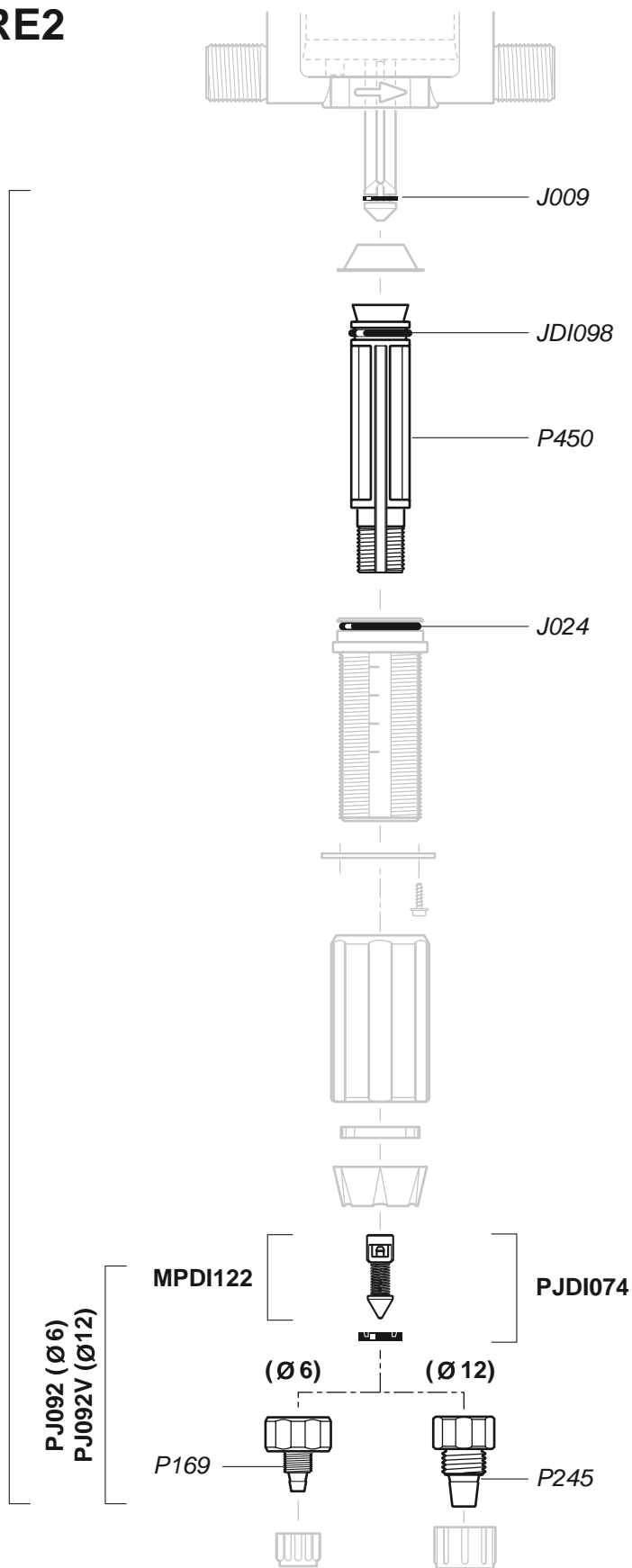


# D25RE2

2.5 m<sup>3</sup>/h - 0.2 - 2%  
11 GPM - 1:500 - 1:50  
0.3 - 6 bar  
4.3 - 85 psi

PJ093 (Ø6)  
PJ093V (Ø12)

© DOSATRON INTERNATIONAL S.A.S. 2008  
D25RE2/0608/D8



D

# D25RE2

2.5 m<sup>3</sup>/h - 0.2 - 2%  
11 GPM - 1:500 - 1:50  
0.3 - 6 bar  
4.3 - 85 psi

